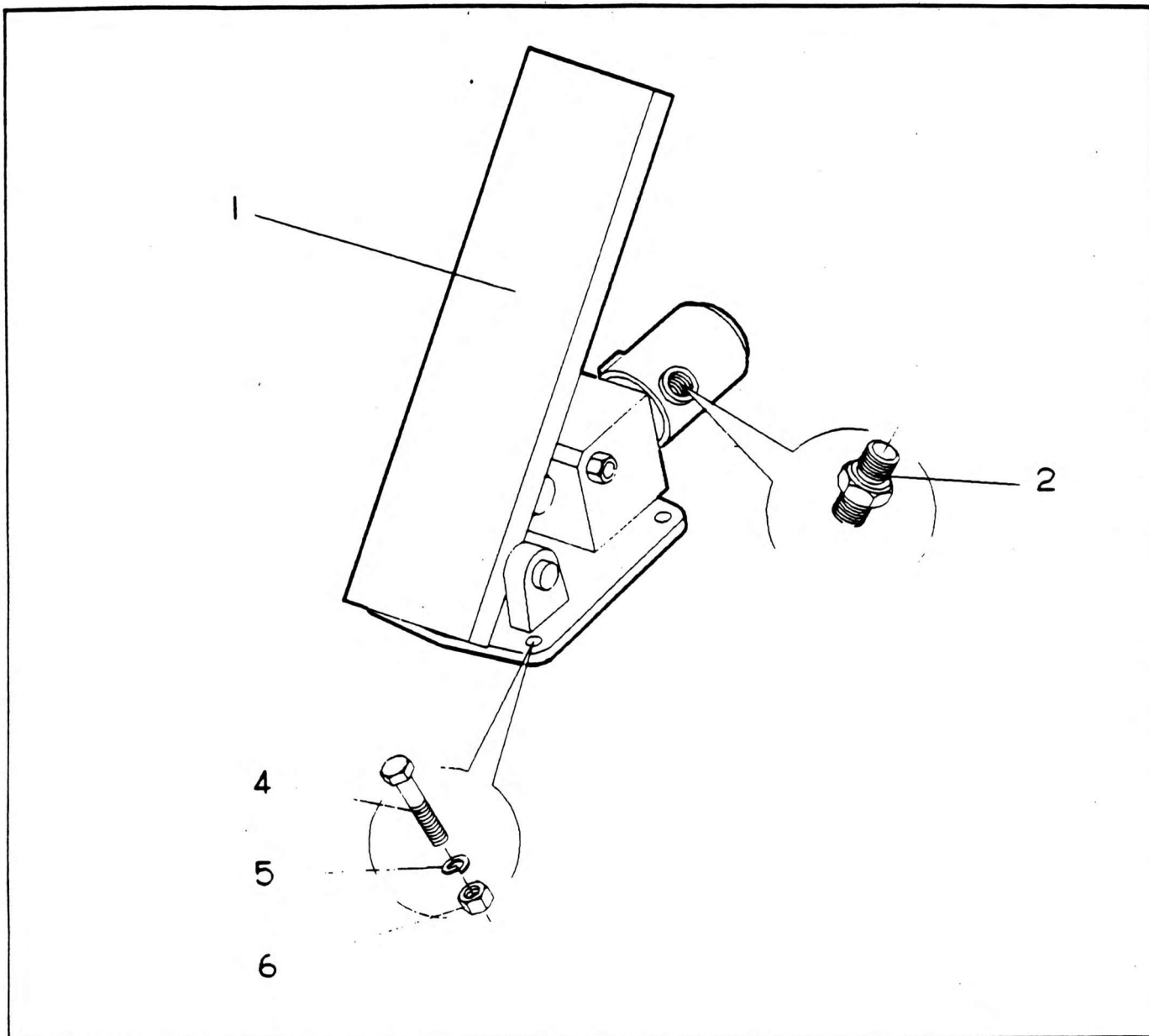


VALVE SUB ASSEMBLY AIR THROTTLE



NO.	PART NO.	QTY.	DESCRIPTION	NO.	PART NO.	QTY.	DESCRIPTION
1 +	8366701	1	Air Throttle Pedal				
2	7-443-991109	2	Male Stud Elbow 1/8" BSP x 1/4" Pipe				
4	7045102	4	Screw Hex Head M6 x 20 Long				
5	7067214	4	Washer Spring M6				
6	7069102	4	Nut M6				

+ See further breakdown in this group